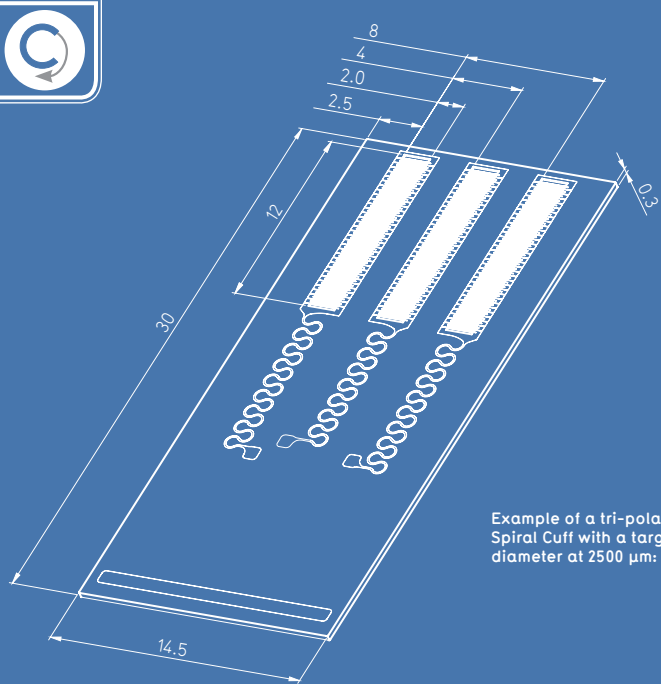


ONE OF THE MAJOR DESIGN INANOVATION BY CORTEC: SOFT CUFF ELECTRODES WITH FLEXIBLE CONTACTS FOR RECORDING AND STIMULATION OF PERIPHERAL NERVES. SPIRAL CUFFS ARE ONE OF OUR SELF-ADJUSTING SOLUTIONS FOR CHANGING DIAMETERS WHICH IS IDEAL FOR CHRONIC APPLICATIONS. PLEASE CONTACT US WITH YOUR DESIGN REQUEST!

Self-adjusting diameter cuffs can accommodate nerve swelling to some extent. They also offset the differences in nerve diameters from individual to individual.

To ensure that the nerve will not escape the electrode we suggest to design spiral cuffs with at least 2.5 turns around the targeted nerve diameter. This will also help to avoid electrical insulation issues for example caused by connective tissue growing into the electrode.

SPIRAL CUFF



Example of a tri-polar Spiral Cuff with a target diameter at 2500 µm:

Top View/Open Cuff (Contact openings are shown face up)



General Information:

- By default, cuffs are supplied with open cables (insulated wires with exposed ends). Please contact us, if you are interested in any other connectivity.
- Learn more about our technological competences on page 29 and page 34.
- For more information about connection options and materials see pages 30ff.

Typical configurations of Spiral Cuffs range within the following diameters:

PRODUCT FEATURES

Number of contacts
Inner diameter
Wall thickness

PRODUCT CONFIGURATION

Starting from 2
1.5 - 4.0 mm, larger diameters available upon request
0.2 - 0.8 mm