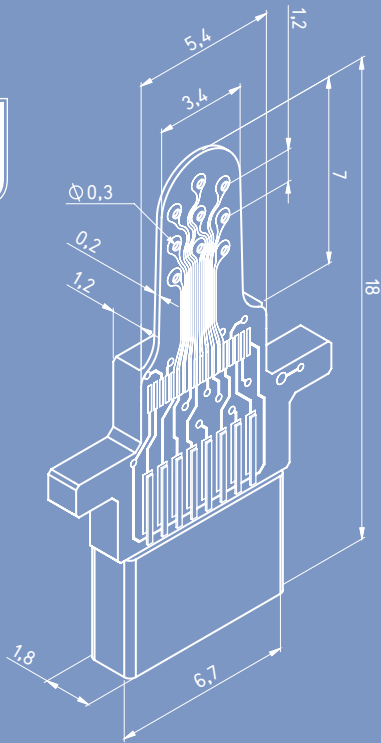


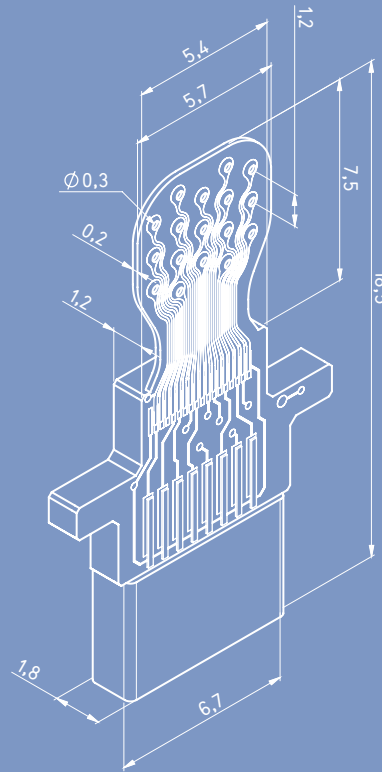
THE SMALLEST \*AIRRAY RESEARCH MICRO ECOG GRIDS IN OUR STANDARD PORTFOLIO. PLEASE CONTACT US FOR OTHER ELECTRODE CONFIGURATIONS OR DESIGNS!

MICRO 8 HEXAGONAL  
MICRO 16 HEXAGONAL  
MICRO 32 HEXAGONAL



MICRO 8  
HEXAGONAL

View:  
Contact openings  
are shown face up



MICRO 16  
HEXAGONAL

View:  
Contact openings  
are shown face up

**General Information:**

- Drawings show products in the following connectivity option: Omnetics - on PCB board.
- Learn more about our technological competences on page 29 and page 34.
- Fore more information about connection options and materials see pages 30ff.

PRODUCT CONFIGURATION

CATALOGUE NO.

Micro 8  
Hexagonal

Platinum-Iridium

1031.2006

Micro 16  
Hexagonal

Platinum-Iridium

1031.2008

CONNECTION OPTIONS

For these products we recommend the following connection option:

- Omnetics - on PCB board

Please see page 31 for further information!

Connectable to MCS Wireless Headstages.

See page 32 for more details.